

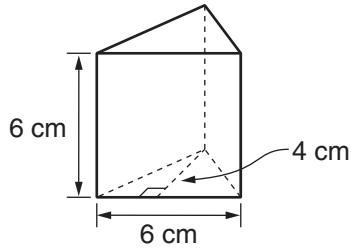
STUDY LINK
9•9

Volumes of Prisms



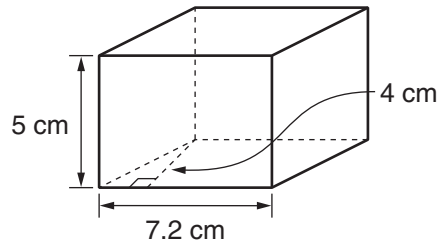
The volume V of any prism can be found with the formula $V = B * h$, where B is the area of the base of the prism, and h is the height of the prism from that base.

1.



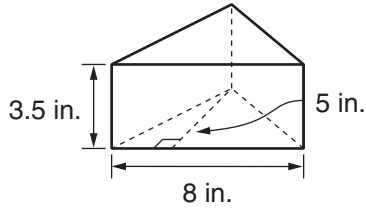
Volume = _____ cm^3

2.



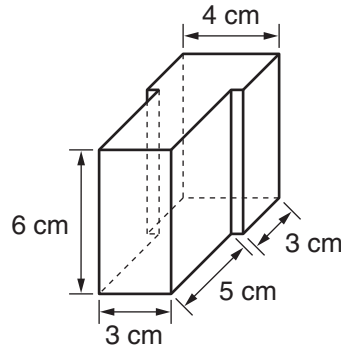
Volume = _____ cm^3

3.



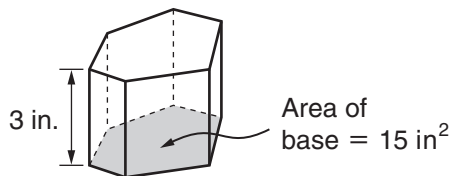
Volume = _____ in^3

4.



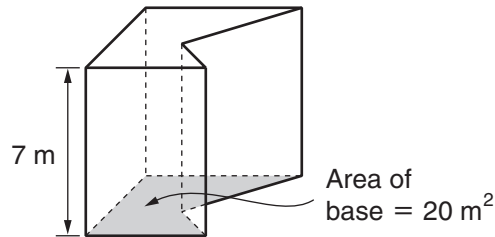
Volume = _____ cm^3

5.



Volume = _____ in^3

6.



Volume = _____ m^3

Practice

Solve each equation.

7. $36 * r = 144$ _____

8. $3,577 - t = 3,822$ _____

9. $3,577 - m = 3,417$ _____

10. $d * 68 = 340$ _____