

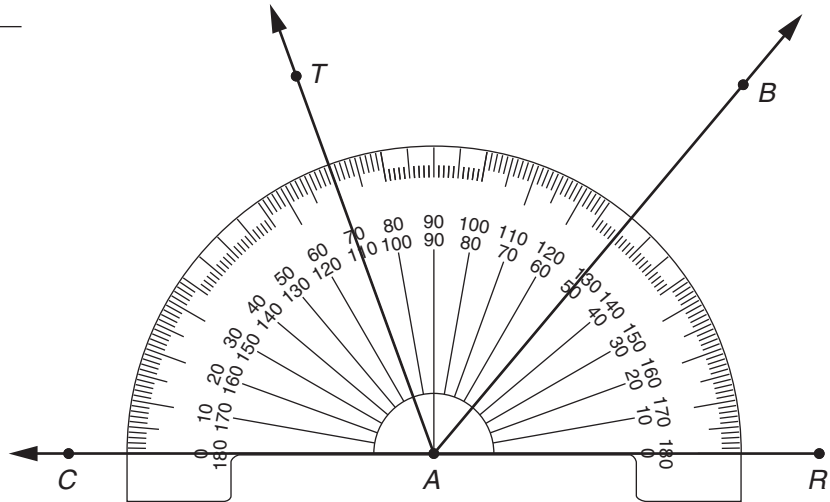
**STUDY LINK**  
**3•4**

# Angle Measures



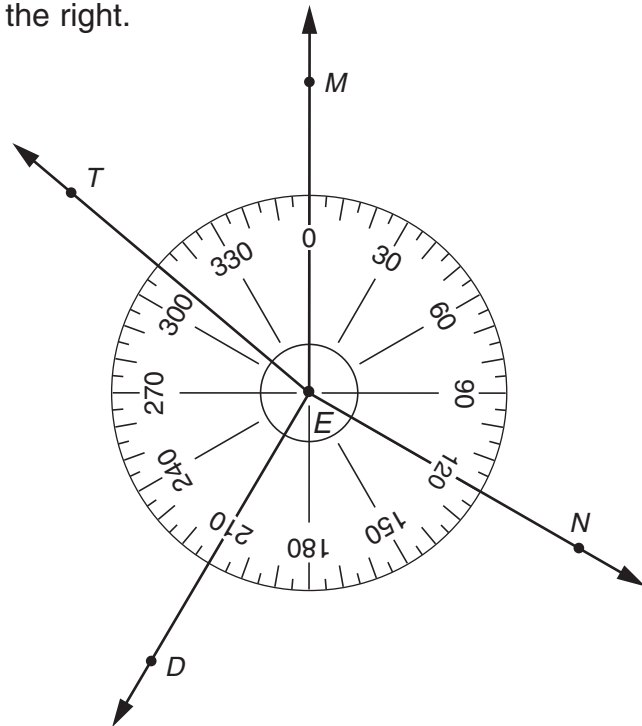
Find the approximate measure of each angle at the right.

1. measure of  $\angle CAT =$  \_\_\_\_\_
2.  $m\angle BAR =$  \_\_\_\_\_
3.  $m\angle RAT =$  \_\_\_\_\_
4.  $m\angle CAB =$  \_\_\_\_\_
5.  $m\angle BAT =$  \_\_\_\_\_
6.  $m\angle CAR =$  \_\_\_\_\_



Find the approximate measure of each angle at the right.

7.  $m\angle MEN =$  \_\_\_\_\_
8.  $m\angle DEN =$  \_\_\_\_\_
9.  $m\angle MET =$  \_\_\_\_\_
10.  $m\angle MED =$  \_\_\_\_\_
11.  $m\angle TEN =$  \_\_\_\_\_


**Practice**

12. 
$$\begin{array}{r} 5,844 \\ + 2,399 \\ \hline \end{array}$$

13. 
$$\begin{array}{r} 238 \\ - 129 \\ \hline \end{array}$$

14. 
$$\begin{array}{r} 234 \\ * 22 \\ \hline \end{array}$$

15.  $60 \div 5 =$  \_\_\_\_\_

16.  $50 \div 6 \rightarrow$  \_\_\_\_\_

